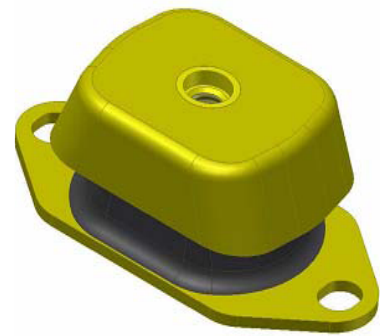
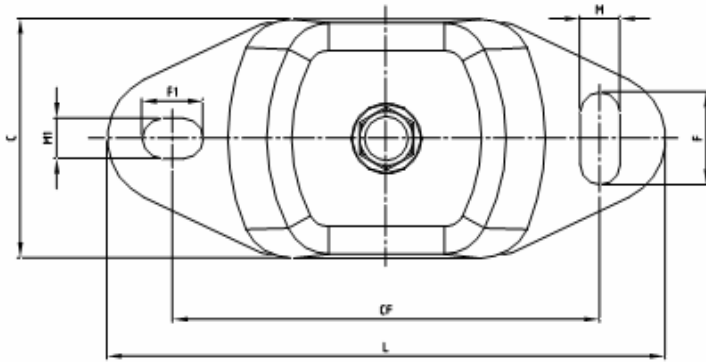
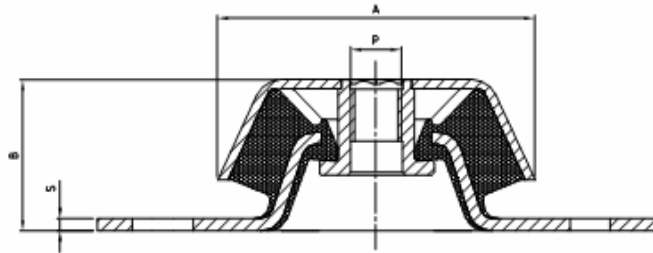


TYPE MARINE



Item 型号	橡胶硬度 IRHD (daN/mm)	A	B	C	P	FxM	CF	L	S	Average Stiffness 平均负荷(Kg/mm)	Max Load 最大荷重(kg)	Max Deflec. 最大压缩量 (mm)
Marine8038M12W	45	80	38	60	M12	14x11	100	120	3	9.0	36.0	4.0
Marine8038M12K	50									13.0	52.0	4.0
Marine8038M12M	60									16.0	64.0	4.0
Marine8038M12H	70									24.0	96.0	4.0
Marine10450M16XW	35	104	50	78	M16	30x13	140	186	4	16.0	80.0	5.0
Marine10450M16W	45									24.0	120.0	5.0
Marine10450M16M	60									38.0	190.0	5.0
Marine10450M16H	70									60.0	300.0	5.0
Marine10450M16XH	80									95.0	475.0	5.0
Marine13271M20W	45	132	71	112	M16	30x13	182	230	5	55.0	330.0	6.0
Marine13271M20M	60									80.0	480.0	6.0
Marine13271M20H	70									135.0	810.0	6.0
Marine13271M20XH	80									220.0	880.0	4.0