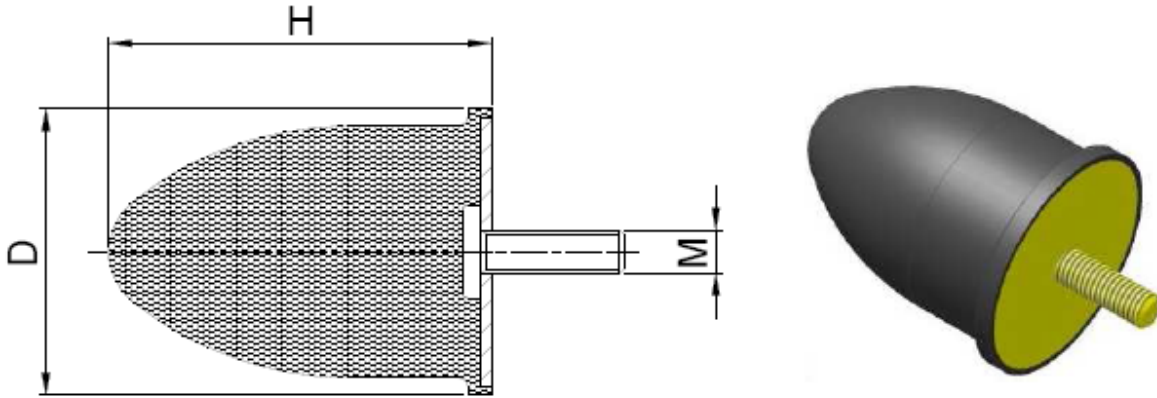




TYPE VP



Item Fibet	D	H	MX1	Stiffness 45 IRHD (daN/mm)	Stiffness 60 IRHD (daN/mm)	Stiffness 70 IRHD (daN/mm)	Max static deflection (mm)
3030VP20	30	30	M8X20	5.1	7.3	10.0	6.0
3036VP23	30	36	M8X23	5.6	8.1	10.9	7.2
5050VP28	50	50	M10X28	5.1	7.8	9.9	10.0
5064VP35	50	64	M8X35	5.0	7.3	10.0	13.4
7589VP37	75	89	M12X37				