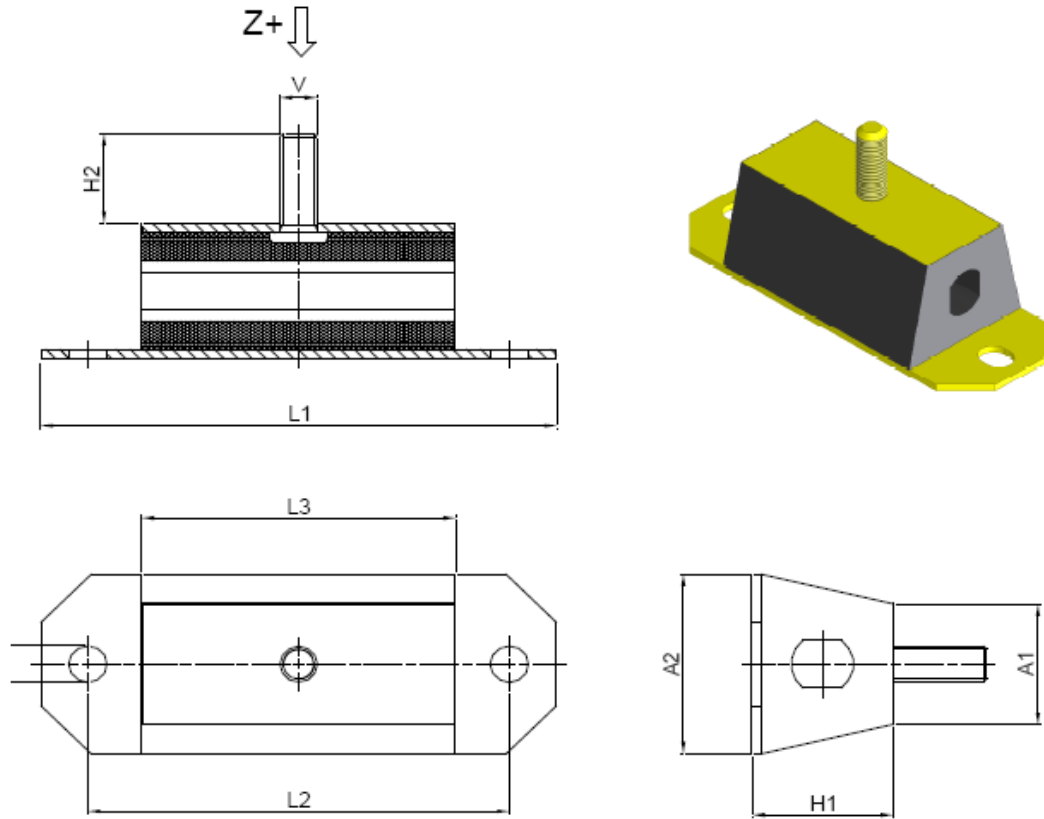




TYPE ZTV



Item Fibet	Hardness (IRHD)	A1	A2	V	H1	H2	F	L1	L2	L3	Average Stiffness (kg/mm)	Max. Load (kg)	Max. Deflec. (mm)
11550ZTV37	60	40	60	M12	44	37	13	115	85	50	19.0	150.0	8.0