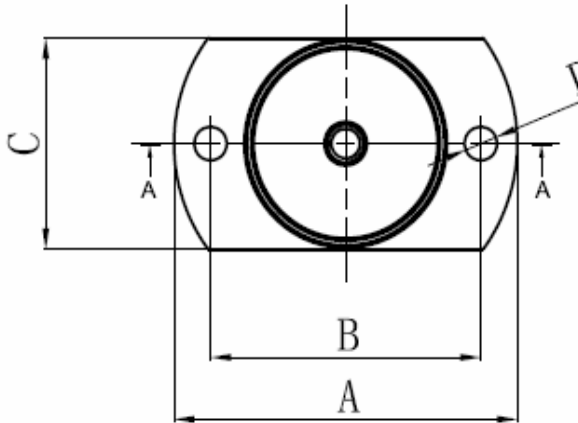
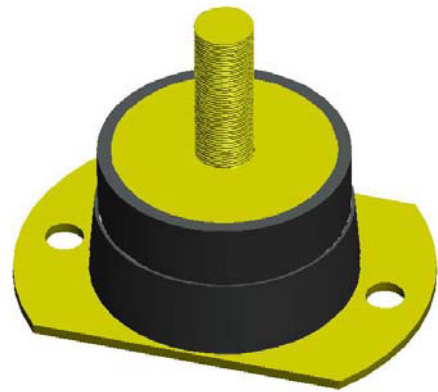
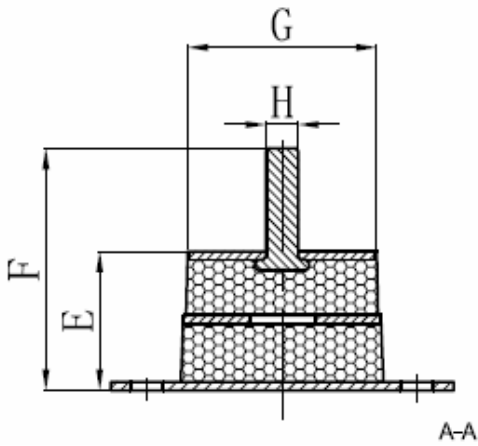




TYPE VBLR



| Item Fibet | G   | E  | H   | B   | A   | Average Stiffness (kg/mm) | Max. Load (kg) | Max. Deflec. (mm) |
|------------|-----|----|-----|-----|-----|---------------------------|----------------|-------------------|
| 7050VBLRK  | 70  | 50 | M12 | 100 | 120 | 65.0                      | 325            | 5.0               |
| 7050VBLRM  |     |    |     |     |     | 82.6                      | 413            | 5.0               |
| 7050VBLRH  |     |    |     |     |     | 103.0                     | 515            | 5.0               |
| 12564VBLR  | 125 | 64 | M20 | 180 | 183 | 18.0                      | 220            | 4.0               |