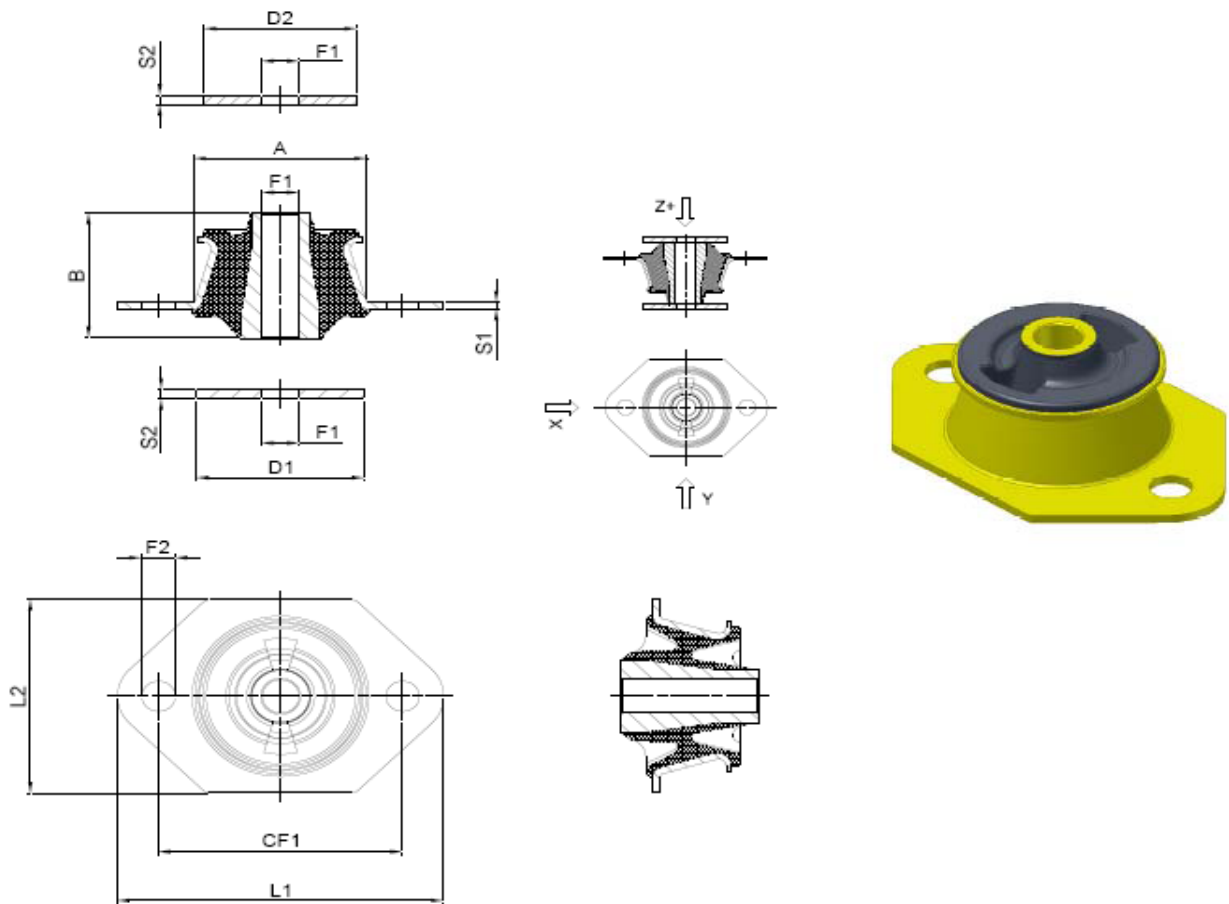


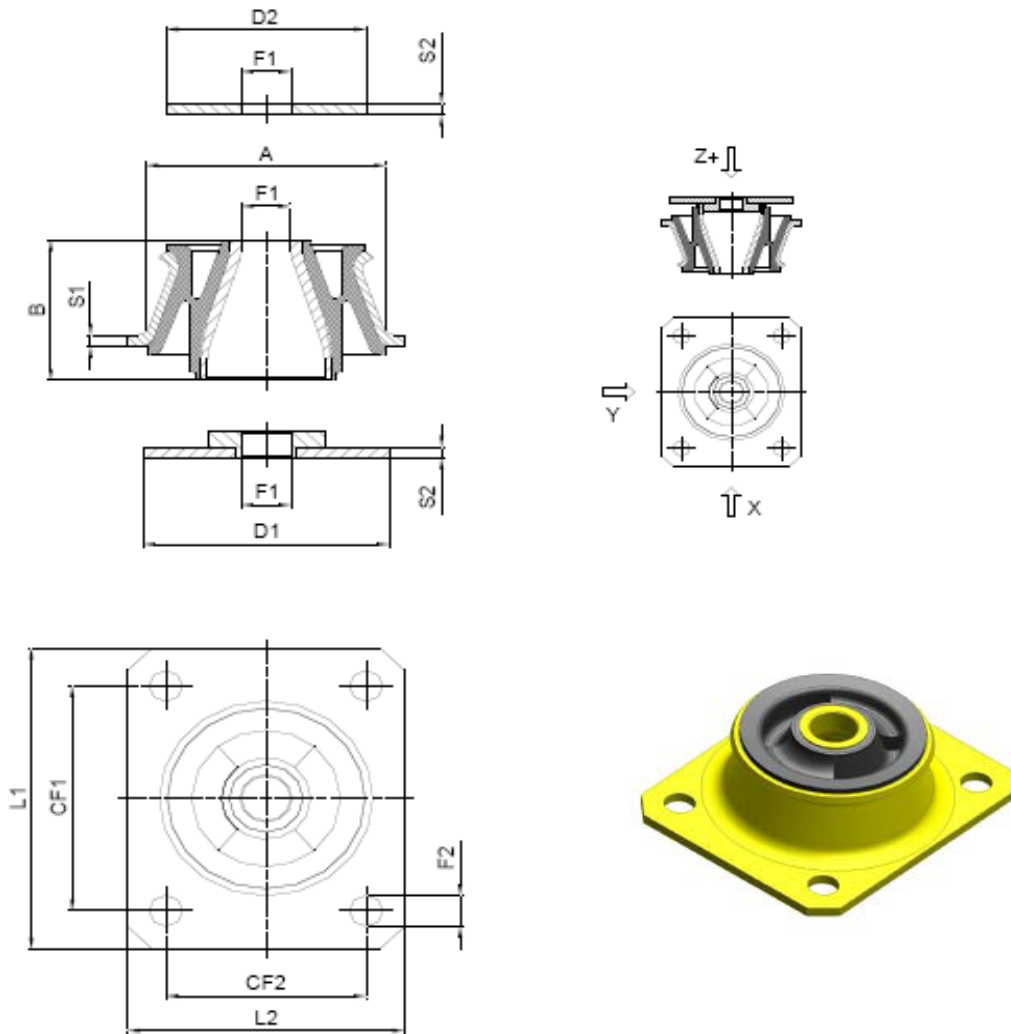


TYPE CAN



Item Fibet	Hardness (IRHD)	A	B	CF1	CF2	L1	L2	F1	S1	F2	D1	D2	F1	S2	Average Stiffness Z+ (Kg/mm)	Max Load (Kg)	Max Defec. (mm)	Average Stiffness X (Kg/mm)	Average Stiffness Y (Kg/mm)
6051CNA12W	45	60	45	80	-	107	70	12.1	2.5	11	55	50	12.2	3.5	15.5	77.5	5.0	5.3	3.1
6051CN12M	60	60	45	80	-	107	70	12.1	2.5	11	55	50	12.2	3.5	28	14	5.0	8.5	5.6
6051CN12H	70	60	45	80	-	107	70	12.1	2.5	11	55	50	12.2	3.5	40	20	5.0	12.0	8.0

TYPE CAN



Item Fivet	Hardness (IRHD)	A	B	CF1	CF2	L1	L2	F1	S1	F2	D1	D2	F1	S2	Average Stiffness Z+ (Kg/mm)	Max Load (Kg)	Max Defec. (mm)	Average Stiffness X (Kg/mm)	Average Stiffness Y (Kg/mm)
7856CNA16W	45	78	50	80	65	107	90	16.5	4	11	80	65	16.0	4	18	90	5	61	31
7856CNA16W	50	78	50	80	65	107	90	16.5	4	11	80	65	16.0	4	28	140	5	71	36
7856CNA16W	60	78	50	80	65	107	90	16.5	4	11	80	65	16.0	4	38	190	5	109	51