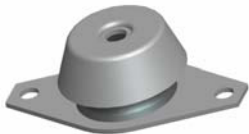
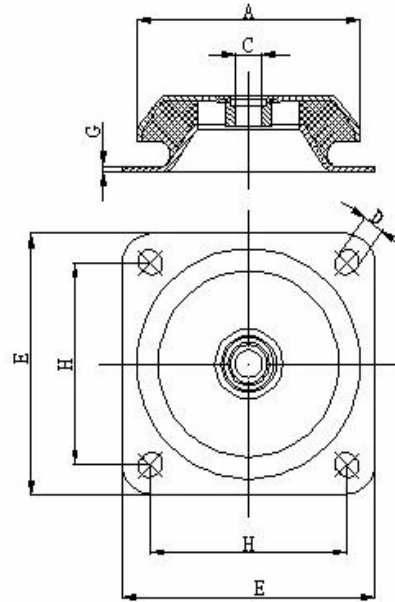
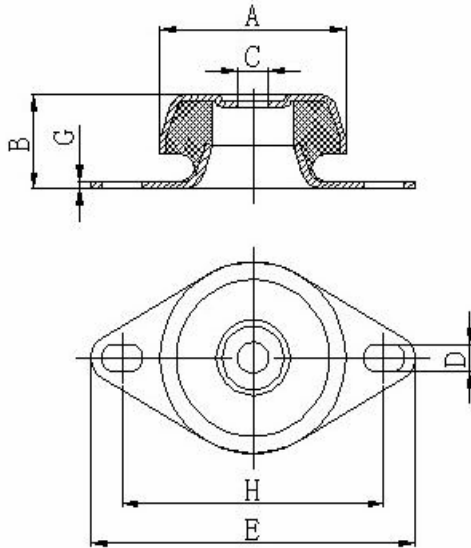


TYPE T



Item 型号	A	B	H1 近距	H2 远距	H3 孔位	E	G1	G2	Max Load(kg)			
									40Shore	50Shore	60Shore	70Shore
T48H23	48	23	68	75	6.5x8.5	81	1.5	1.5	20	40	60	80
T62H31	62	31	75	102	8.5x13	110	2.5	2.5	50	80	120	150
T62H35	62	35	75	102	8.5x13	110	2.5	2.5	65	95	135	165
T78H35	78	30	108	120	8.5x13	135	3	3	80	120	150	180
T83H35	83	35	108	120	8.5x13	135	3	3	90	140	160	200
T92H35	92	35	122	140	10x14.5	150	3	3	200	250	300	400
T92H45	92	45	122	140	10x14.5	150	3	3	300	380	420	550
T106H38	106	38	143	165	13x18	175	3	4	250	330	420	500
T106H50	106	50	143	165	13x18	175	3	4	350	410	450	600
T125H42	125	43	156	170	14x18	192	3	4	400	550	650	800
T125H50	125	50	156	170	14x18	192	3	4	600	750	850	1100
T150H50	150	50	176	188	14x18	218	3	4	650	1050	1300	1500
T150H50Q	150	50	140	140	14x18	170	3	4	650	1050	1300	1500
T180H60Q	180	60	146	146	14x18	190	4	5	875	1250	1700	2650