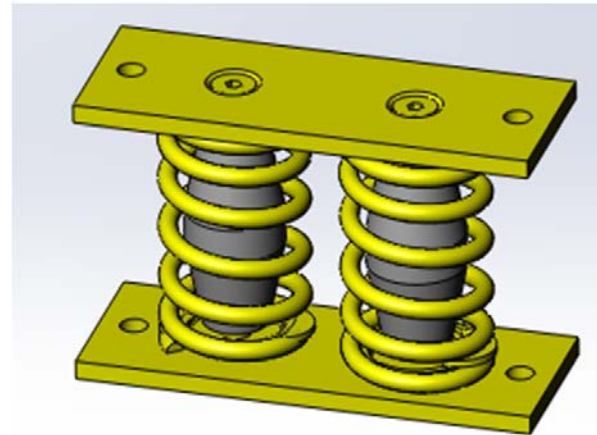
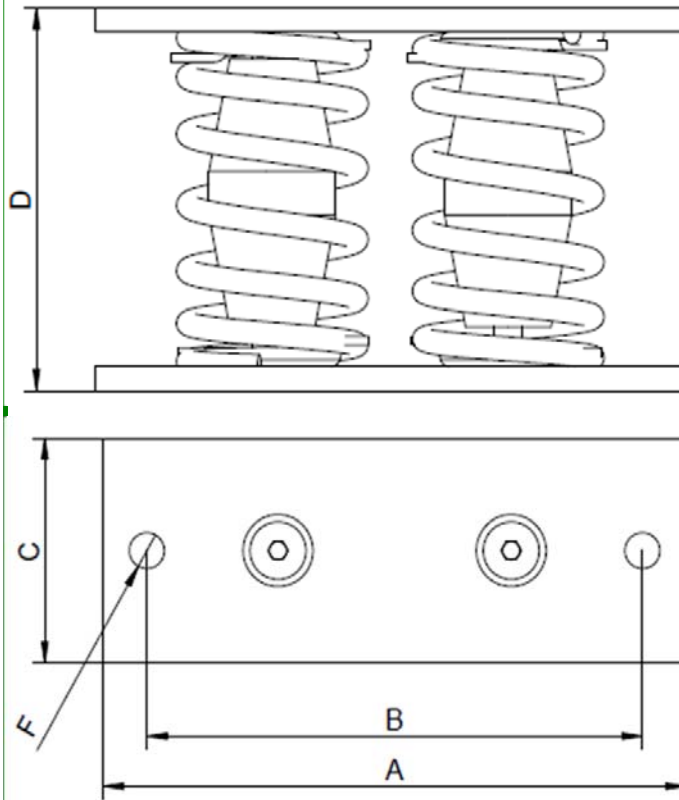


TYPE FIB2



Item Fibet	A	B	C	D	F	Average Stiffness (N/mm)	Max. Load (N)	Max. Deflec. (mm)
FIB2-1	200	170	75	124	12	100.0	1200	12.0
FIB2-2	250	170	100	124	12	400.0	4800	12.0