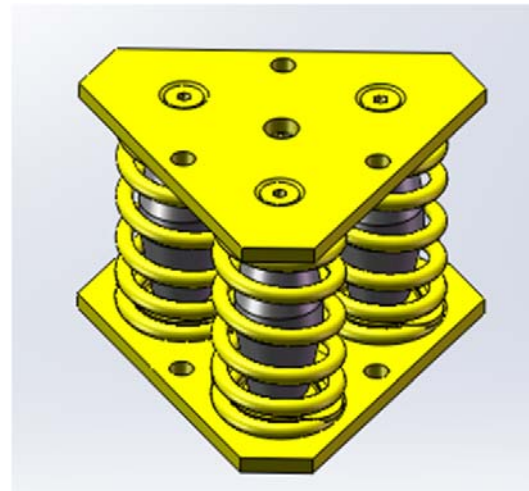
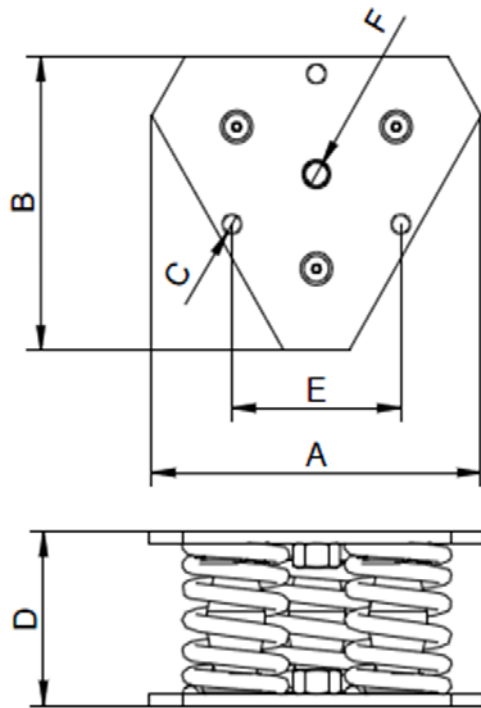


TYPE FIB3



Item Fibet	A	B	C	D	E	F	Average Stiffness (N/mm)	Max. Load (N)	Max. Deflec. (mm)
FIB3-1	200	170	12	124	94	M16	150.0	1800	12.0
FIB3-2	250	170	14	124	128	M20	600.0	7200	12.0